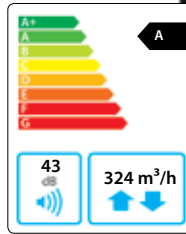


Domekt R 300 V

Maximal air flow, m ³ /h	324
Panel thickness, mm	30
Unit weight, kg	25
Supply voltage, V	1~230
Maximal operating current, A	HE3,2
Thermal efficiency of heat recovery, %	84
Reference flow rate, m ³ /s	0,063
Reference pressure difference, Pa	50
SPI, W/(m ³ /h)	0,33
Filters dimensions BxHxL, mm	290x205x46-M5
Electric power input of the fan drive at reference flow rate, W	34
Electric power input of the fan drive at maximum flow rate, W	76
Electric air heater capacity, kW / Δt, °C	0,5/6,1
Control panel	C6.1 / C6.2
Maintenance space, mm	400



The photo is intended for informational purposes only, exact details may vary.

Acoustic data

A-weighted sound power level L_{WA}, dB(A) at reference flow rate

Supply inlet	54
Supply outlet	62
Exhaust inlet	54
Exhaust outlet	62
Casing	43

A-weighted sound pressure level L_{PA}, dB(A)

10 m² normally isolated room, distance from casing – 3 m.

Surroundings	32
--------------	----

Temperature efficiency

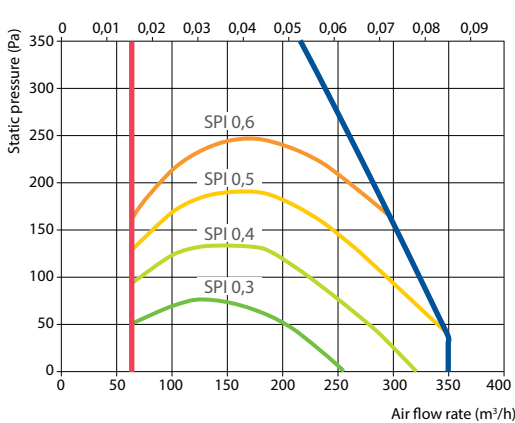
	Winter					Summer		
Outside temperature, °C	-23	-15	-10	-5	0	25	30	35
After heat exchanger*, °C	13,3	14,9	15,8	16,8	17,8	22,6	23,5	24,5

* indoor +22°C, 20% RH

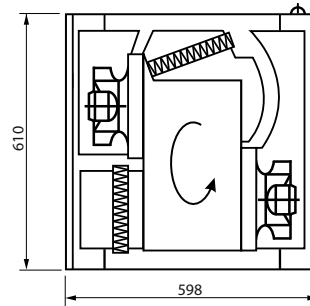
Performance

Unit with standard equipment

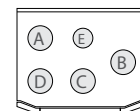
Air flow rate (m³/s)



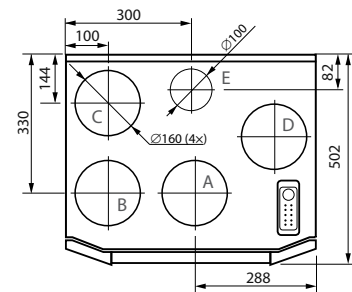
Shown as left (L1)



Shown as right (R1)



- A outdoor intake
- B supply air
- C extract indoor
- D exhaust air
- E additional extraction connection (by-pass – extraction without heat recovery)



Accessories

Closing damper	AGUJ-M-160+LF230/LM230
Silencer	A/D AGS-160-50-600-M B/C AGS-160-50-900-M
Water heater	DH-160
Electric heater	EH-160-0,5

PPU	PPU-HW-3R-15-0,4-W1
2-way valve (water heater)	VVP47.10-0,4
Air heater-cooler	DHCW-160
2-way valve (water cooler)	VVP47.10-1,6